



**PREMIER**  
COPPER PRODUCTS

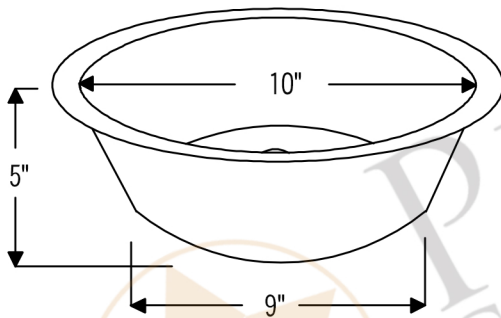
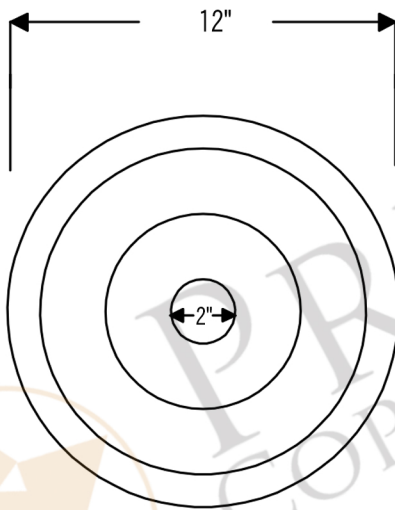
**MODEL NUMBER: BR12EN2**

CODE/STANDARD COMPLIANCE

\* IAPMO/cUPC LISTED



- \* Description: 12" Round Hammered Copper Bar Sink with 2" Drain Opening
- \* Outer Dimension: 12" x 5"
- \* Inner Dimension: 10" x 5"
- \* Rim: 1"
- \* Drain Opening: 2"
- \* Finish: Nickel



THIS PRODUCTS IS HAND CRAFTED, SMALL VARIANCES IN COLOR AND SIZE MAY OCCUR.  
DO NOT MAKE ANY INSTALLATION CUTS UNTIL YOU RECEIVE YOUR ITEM(S).