



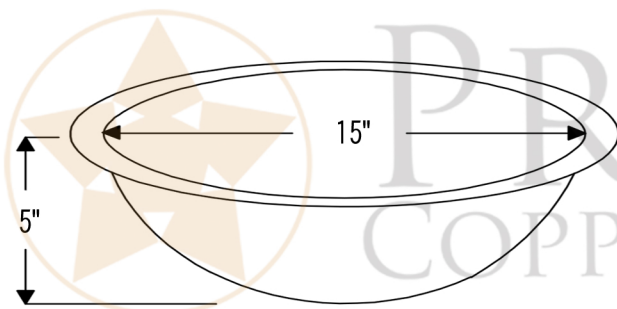
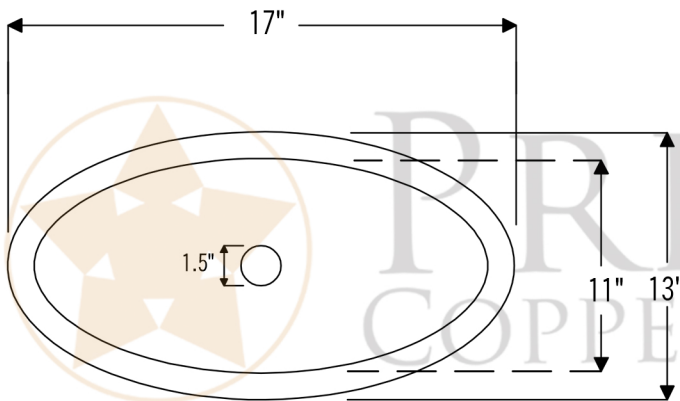
PREMIER  
COPPER PRODUCTS

MODEL NUMBER: LO17FEN

- \* Description: 17" Oval Under Counter Hammered Copper Sink in Nickel
- \* Outer Dimension: 17" x 13" x 5"
- \* Inner Dimension: 15" x 11" x 5"
- \* Rim: 1" Flat Rim
- \* Drain Opening: 1.5"
- \* Finish: Nickel

CODE/STANDARD COMPLIANCE

\* IAPMO/cUPC LISTED



THIS PRODUCT IS HAND CRAFTED, SMALL VARIANCES IN COLOR AND SIZE MAY OCCUR.  
DO NOT MAKE ANY INSTALLATION CUTS UNTIL YOU RECEIVE YOUR ITEM(S).