



**PREMIER**  
COPPER PRODUCTS

**MODEL NUMBER: V017SKDB**

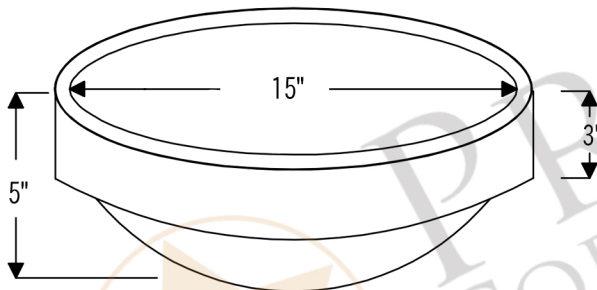
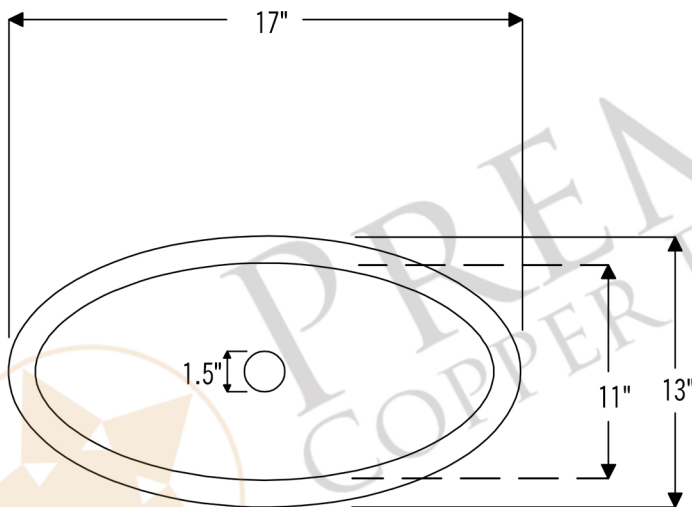
- \* Description: Compact Oval Skirted Vessel Hammered Copper Sink
- \* Outer Dimension: 17" x 13" x 5"
- \* Inner Dimension: 15" x 11"
- \* Skirt: 3"
- \* Drain Opening: 1.5"
- \* Finish: Oil Rubbed Bronze

CODE/STANDARD COMPLIANCE

\* IAPMO/cUPC LISTED



\* ORB: Oil Rubbed Bronze



THIS PRODUCT IS HAND CRAFTED, SMALL VARIANCES IN COLOR AND SIZE MAY OCCUR.  
DO NOT MAKE ANY INSTALLATION CUTS UNTIL YOU RECEIVE YOUR ITEM(S).