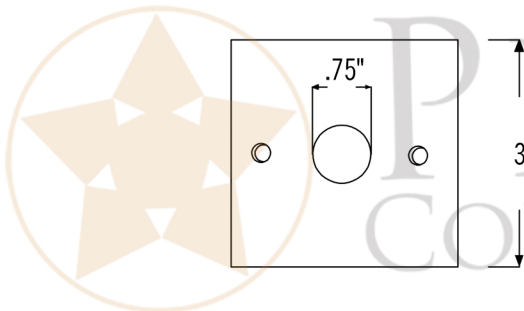
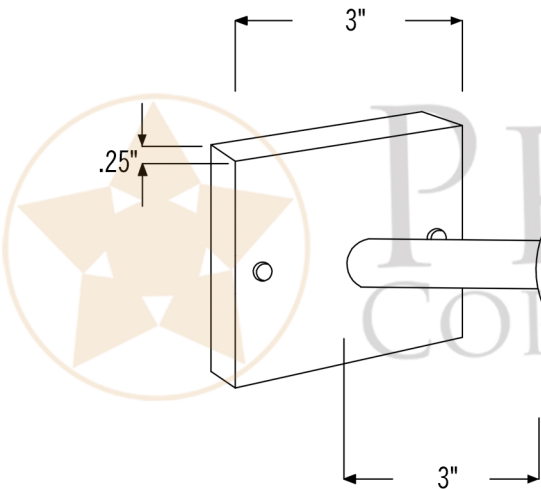




PREMIER  
COPPER PRODUCTS

## MODEL NUMBER: RH1

- \* Description: Hand Hammered Copper Single Robe/Towel Hook
- \* Outer Dimension: 3" x 3" x 3.25"
- \* Hook Length: 3"
- \* Number of Hooks: 1
- \* Installation Type: Wall Mount (2 Screws Included)
- \* Finish: Oil Rubbed Bronze



THIS PRODUCT IS HAND CRAFTED, SMALL VARIANCES IN COLOR AND SIZE MAY OCCUR.  
DO NOT MAKE ANY INSTALLATION CUTS UNTIL YOU RECEIVE YOUR ITEM(S).