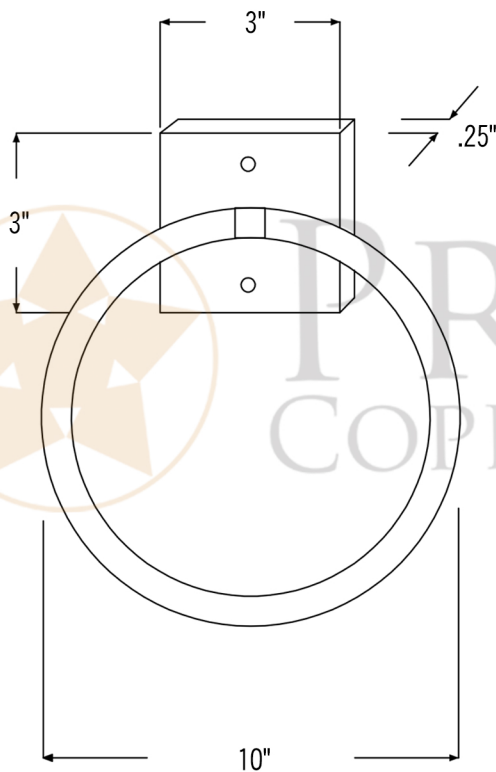




PREMIER
COPPER PRODUCTS

MODEL NUMBER: TR10DB

- * Description: 10" Hand Hammered Copper Full Size Bath Towel Ring
- * Outer Dimension: 10" x 10" (Ring Only)
- * Finish: Oil Rubbed Bronze



THIS PRODUCT IS HAND CRAFTED, SMALL VARIANCES IN COLOR AND SIZE MAY OCCUR.
DO NOT MAKE ANY INSTALLATION CUTS UNTIL YOU RECEIVE YOUR ITEM(S).