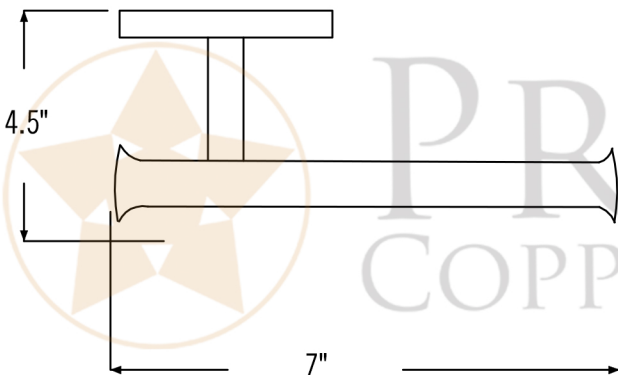
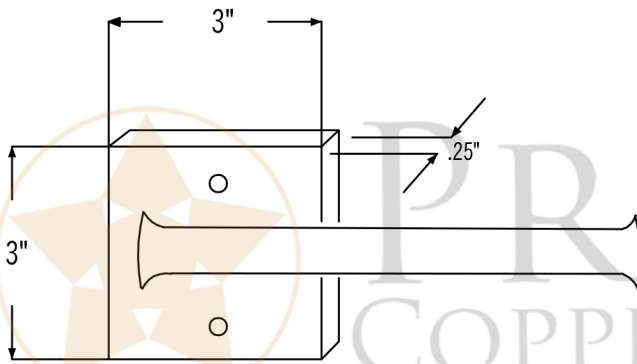




PREMIER
COPPER PRODUCTS

MODEL NUMBER: TPHLDRDB

- * Description: Hand Hammered Copper Tissue Paper Holder
- * Outer Dimension: 7" x 3" x 4.5"
- * Installation Type: Wall Mount (2 screws)
- * Finish: Oil Rubbed Bronze



THIS PRODUCT IS HAND CRAFTED, SMALL VARIANCES IN COLOR AND SIZE MAY OCCUR.
DO NOT MAKE ANY INSTALLATION CUTS UNTIL YOU RECEIVE YOUR ITEM(S).